



***AC
EXTERNAL
ROTOR
FANS.***



GENERAL DATA FOR : RADIAL FANS

Frame / Housing	:	Aluminium die-casting
Impeller	:	Plastic Nylon, metal or Aluminum
Bearing System	:	Ball bearing
Motor	:	Shaded pole or capacitor induction
Protection	:	Impedance protection or thermal protection
Insulation Resistance	:	Above 100MΩ, DC500V
Dielectric withstand voltage	:	AC 1500V (50/60Hz) one minute
Operating Temperature	:	Ball bearing: - 40°C ~ 60°C : (EA2280BMB, EA2880BMB - 40°C~ 90°C)
Life Expectancy	:	Ball bearing: over 40,000. (At 40°C)
Safety Approval	:	UL, CUL, CE

Description of Model No. :

ALL MODELS DISPLAYED ON THIS CATALOGUE ARE ROHS COMPLIANT.

E A 2280 B M B - 11 HB

1 2 3 4 5 6 7 8

3 Size.

1885	:	182	x	182	x	85	mm
1970	:	190	x	190	x	70	mm
2270	:	223	x	223	x	71	mm
2269	:	225	x	225	x	69	mm
2280	:	225	x	225	x	80	mm
2285	:	225	x	225	x	85	mm
2880	:	280	x	280	x	80	mm
22100	:	225	x	225	x	100	mm
25100	:	251	x	251	x	100	mm

1. E
Electronic Associates

2. A
AC Fans

4. Special design.
A Centrifugal Fan
B Axial Fan
D Blower Fan

5. Sort of blade.
A Aluminum
P Plastic
M Metal

6. Air Direction.
Centrifugal Fan.
A Backward Curve
Single Air Intake
B Forward Curve
Single Air Intake
C Forward Curve
Dual Air Intake

Axial Fan,
A Air Discharge
Out of logo side
B Air Discharge
Opposite of Logo Side

Blower Fan.
B Forward Single
Air Inlet
C Forward Dual
Air Inlet

7. Input Voltage.
11: 115V
23: 230V

8. Speed.
H: High Speed
M: Medium Speed
L: Low Speed

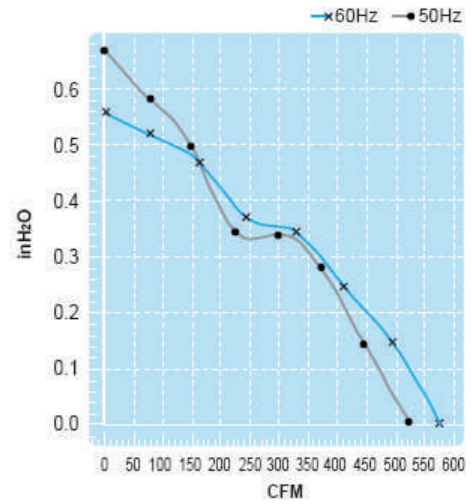


Electronic Alliance

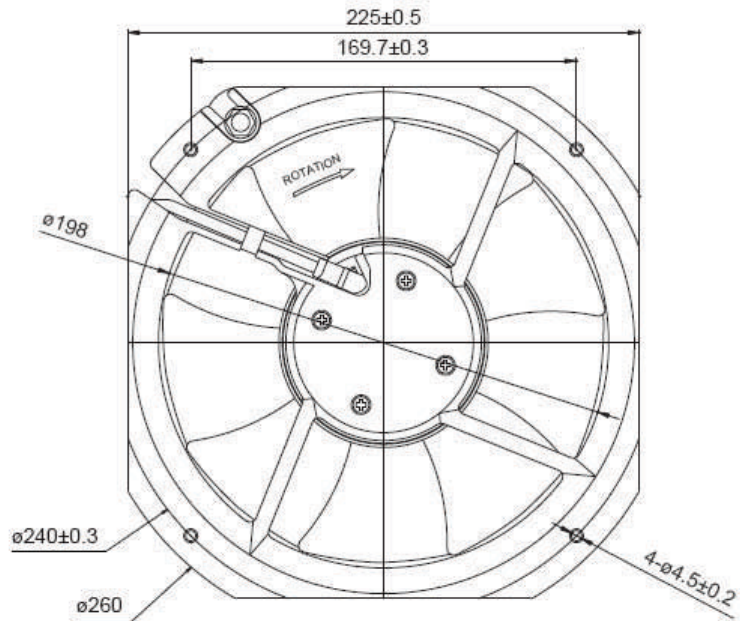
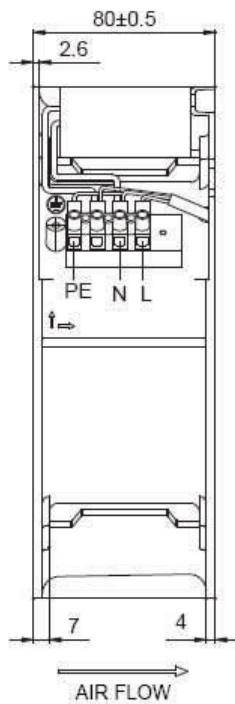
AC EXTERNAL ROTOR FAN

MODEL: EA2280BMB SERIES

AXIAL FAN



Thermal Protection



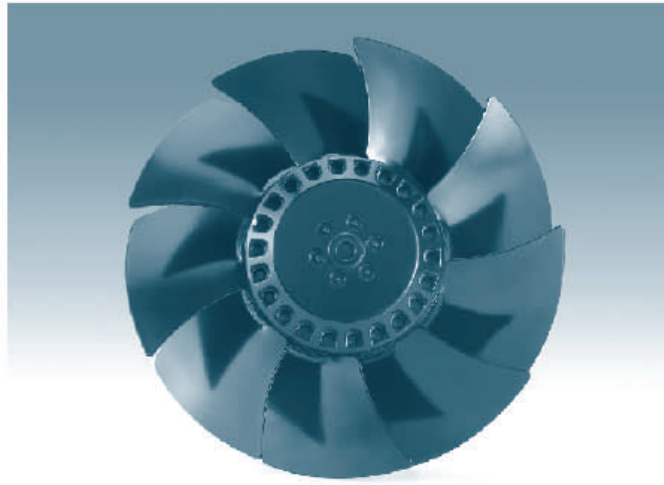
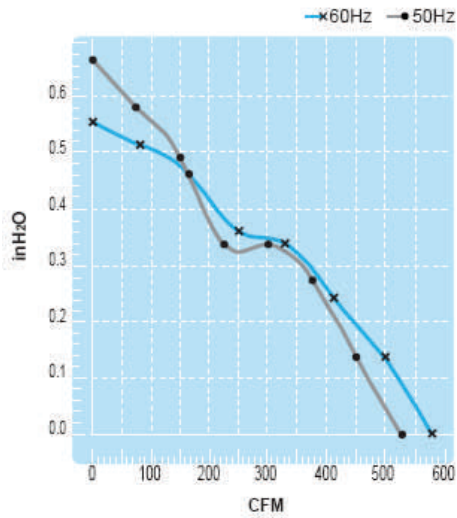
Model Spec	Rated Voltage V	Frequency Hz	Input Power W	Rated Current A	Locked Current A	Speed RPM	Maximum Air Flow m ³ /min	Maximum Air Flow CFM	Maximum Pressure mmH ₂ O	Maximum Pressure InchH ₂ O	Capacitor μF/VDB	Noise dB	Weight KG
EA2280BMB-11H	115V	50	65	0.58	0.99	2,550	15	530	17	0.67	5/450	59	2.10
		60	72	0.70	0.99	2,800	17	600	14	0.55		61	
EA2280BMB-23H	230V	50	74	0.29	0.50	2,550	15	530	17	0.67	1.5/450	59	2.10
		60	80	0.35	0.50	2,800	17	600	14	0.55		61	



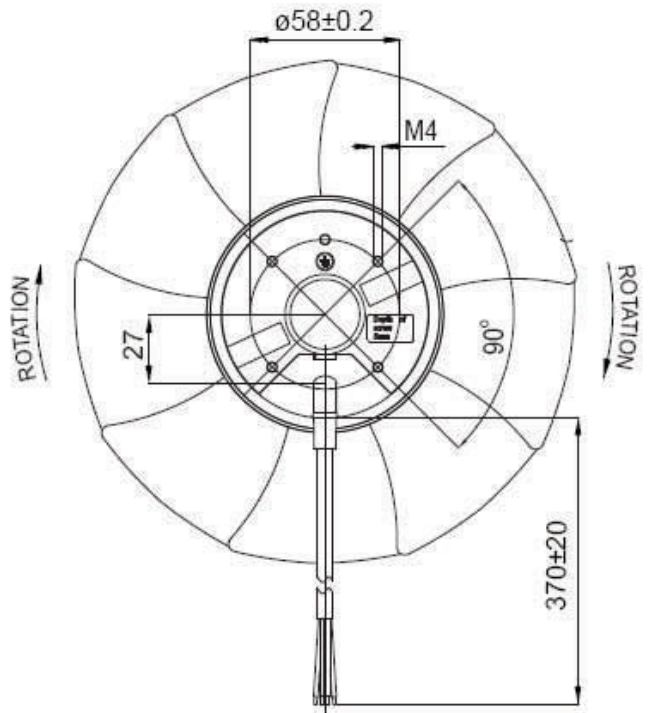
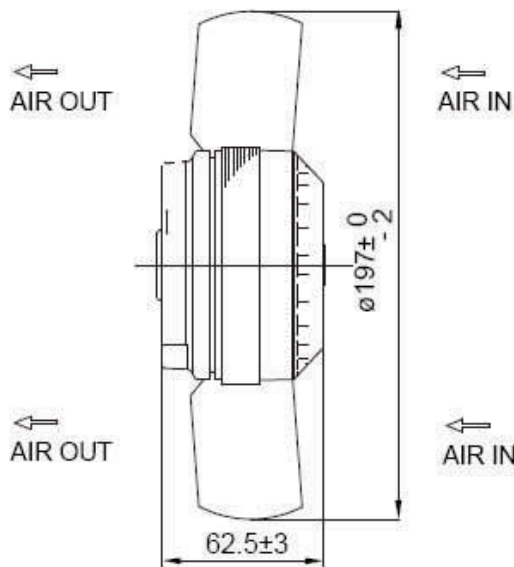
Electronic Alliance

AC EXTERNAL ROTOR FAN

MODEL: EA2280BMB SERIES WITHOUT FRAME SERIES



Thermal Protection



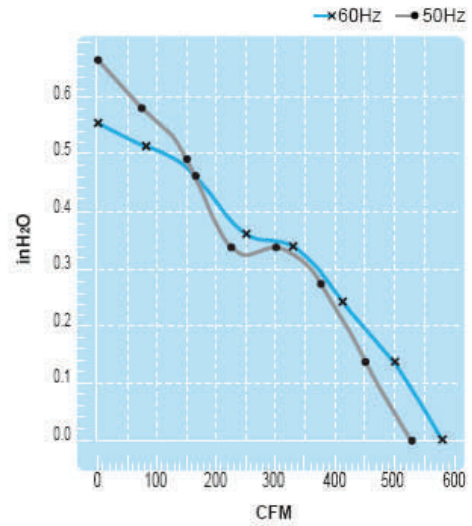
Model Spec	Rated Voltage V	Frequency Hz	Input Power W	Rated Current A	Locked Current A	Speed RPM	Maximum Air Flow m ³ /min	Maximum Air Flow CFM	Maximum Pressure mmH ₂ O	Maximum Pressure InchH ₂ O	Capacitor μF/VDB	Noise dB	Weight KG
EA2280BMB-11HB1	115V	50	65	0.58	0.99	2,550	15.0	530	17.0	0.67	5/250	59	1.40
		60	72	0.70	0.99	2,800	17.0	600	14.0	0.55		61	
EA2280BMB-23HB1	230V	50	74	0.29	0.50	2,550	15.0	530	17.0	0.67	1.5/450	59	1.40
		60	80	0.35	0.50	2,800	17.0	600	14.0	0.55		61	



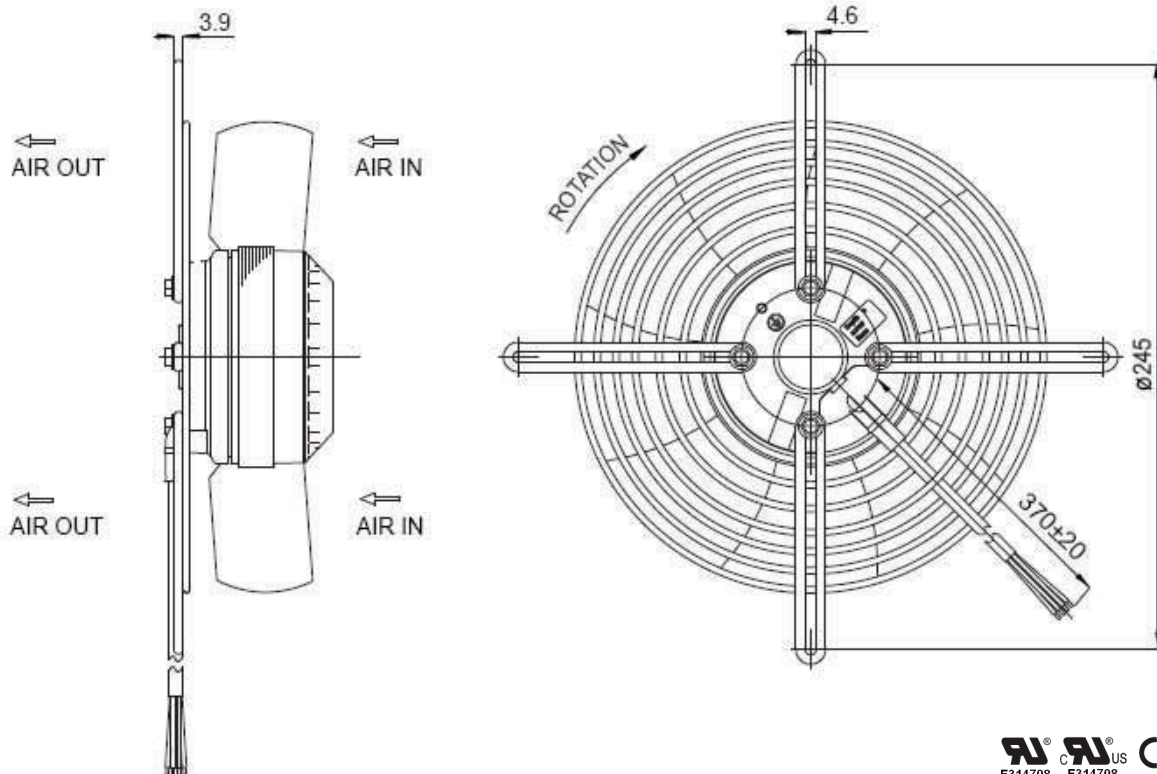
Electronic Alliance

AC EXTERNAL ROTOR FAN

MODEL: EA2280BMB SERIES WITHOUT FRAME WITH LOWGUARD AXIAL FAN



Thermal Protection



Model Spec	Rated Voltage V	Frequency Hz	Input Power W	Rated Current A	Locked Current A	Speed RPM	Maximum Air Flow m ³ /min	Maximum Air Flow CFM	Maximum Pressure mmH ₂ O	Maximum Pressure InchH ₂ O	Capacitor μ F/VDB	Noise dB	Weight KG
EA2280BMB-11HB2	115V	50	65	0.58	0.99	2,550	15.0	530	17.0	0.67	5/250	59	1.40
		60	72	0.70	0.99	2,800	17.0	600	14.0	0.55		61	
EA2280BMB-23HB2	230V	50	74	0.29	0.50	2,550	15.0	530	17.0	0.67	1.5/450	59	1.40
		60	80	0.35	0.50	2,800	17.0	600	14.0	0.55		61	

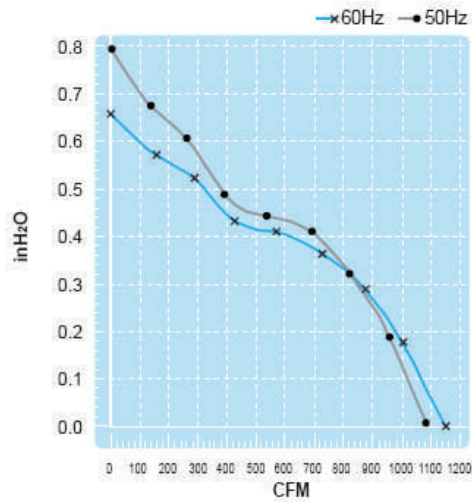


Electronic Alliance

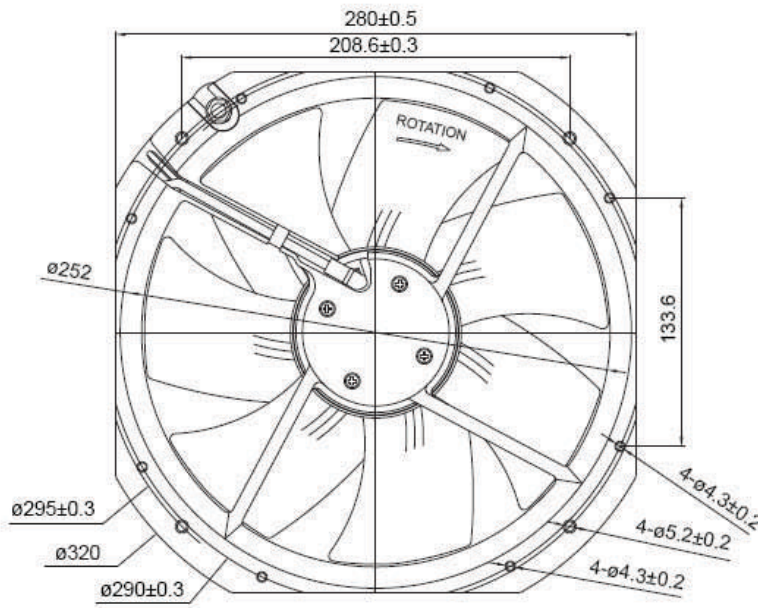
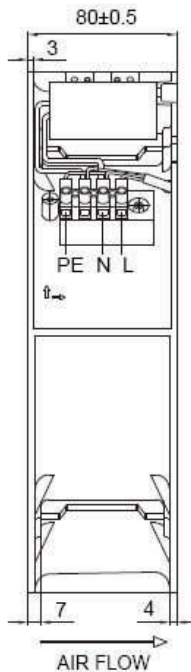
AC EXTERNAL ROTOR FAN

MODEL: EA2880BMB SERIES

AXIAL FAN



Thermal Protection



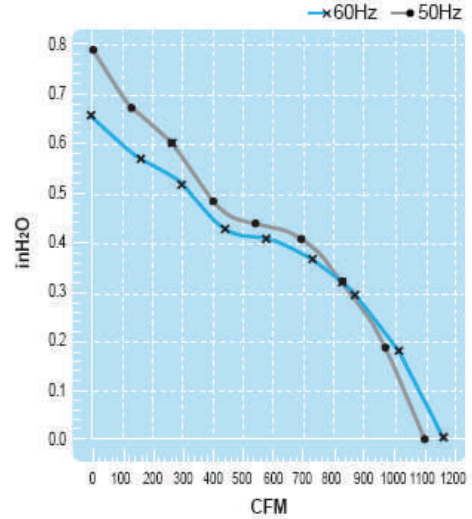
Model Spec	Rated Voltage V	Frequency Hz	Input Power W	Rated Current A	Locked Current A	Speed RPM	Maximum Air Flow m ³ /min	Maximum Air Flow CFM	Maximum Pressure mmH ₂ O	Maximum Pressure InchH ₂ O	Capacitor μF/VDB	Noise dB	Weight KG
EA2880BMB-11H	115V	50	112	1.00	1.90	2,550	31.0	1,090	16.5	0.65	12/450	68	2.80
		60	148	1.50	1.90	2,700	32.0	1,130	20.0	0.78		70	
EA2880BMB-23H	230V	50	119	0.59	0.91	2,550	31.0	1,090	16.5	0.65	4/450	68	2.80
		60	158	0.82	0.91	2,700	32.0	1,130	20.0	0.78		70	



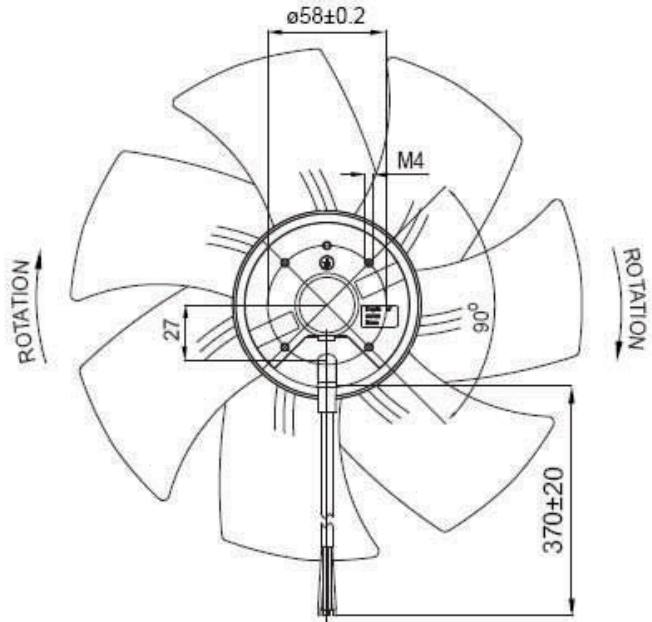
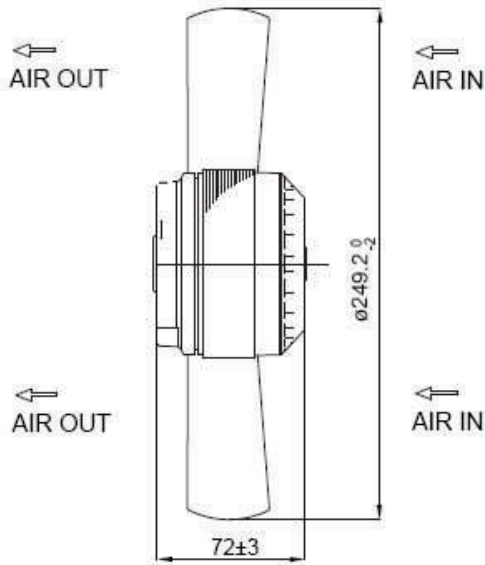
Electronic Alliance

AC EXTERNAL ROTOR FAN

MODEL: EA2880BMB SERIES WITHOUT FRAME



Thermal Protection



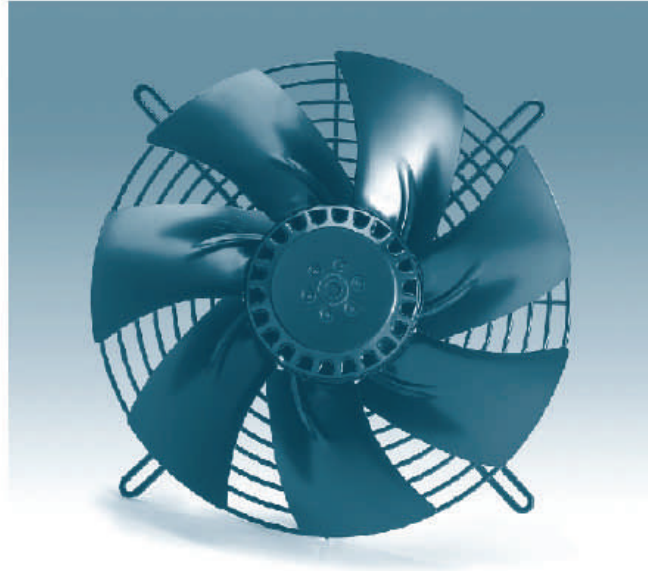
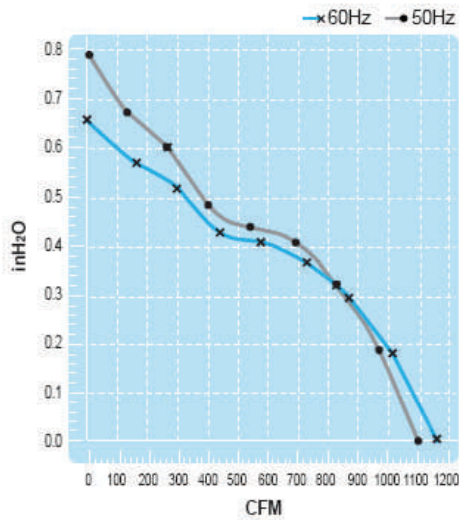
Model Spec	Rated Voltage V	Frequency Hz	Input Power W	Rated Current A	Locked Current A	Speed RPM	Maximum Air Flow m ³ /min	Maximum Air Flow CFM	Maximum Pressure mmH ₂ O	Maximum Pressure InchH ₂ O	Capacitor μF/VDB	Noise dB	Weight KG
EA2880BMB-11HB1	115V	50	112	1.00	1.90	2,550	31.0	1090	16.5	0.65	12/250	68	1.80
		60	148	1.50	1.90	2,700	32.0	1130	20.0	0.78		70	
EA2880BMB-23HB1	230V	50	119	0.59	0.91	2,550	31.0	1090	16.5	0.65	4/450	68	1.80
		60	158	0.82	0.91	2,700	32.0	1130	20.0	0.78		70	



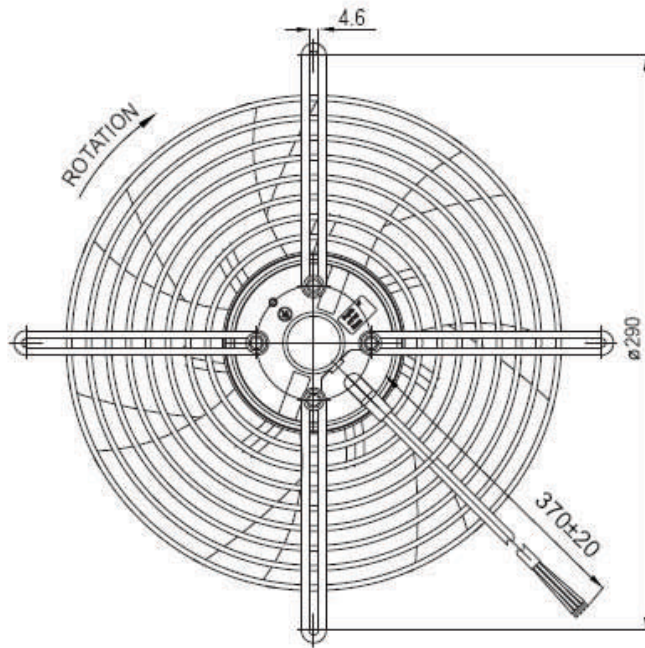
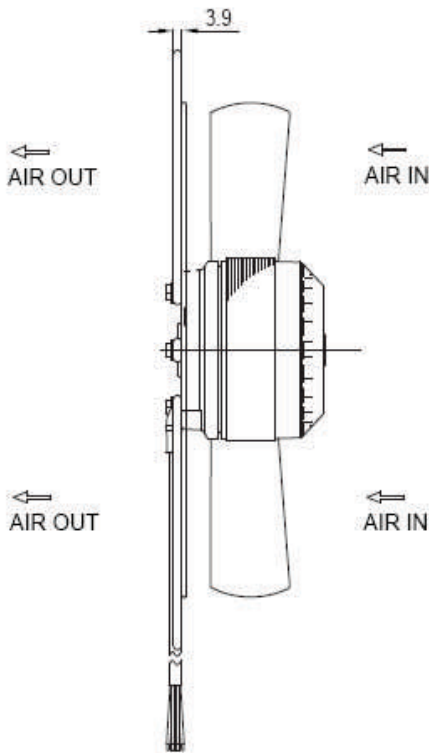
Electronic Alliance

AC EXTERNAL ROTOR FAN

MODEL: EA2880BMB SERIES WITHOUT FRAME WITH LOWGUARD AXIAL FAN



Thermal Protection



Model Spec	Rated Voltage V	Frequency Hz	Input Power W	Rated Current A	Locked Current A	Speed RPM	Maximum Air Flow m ³ /min	Maximum Air Flow CFM	Maximum Pressure mmH ₂ O	Maximum Pressure InchH ₂ O	Capacitor μF/VDB	Noise dB	Weight KG
EA2880BMB-11HB2	115V	50	112	1.00	1.90	2,550	31.0	1090	16.5	0.65	12/250	68	1.80
		60	148	1.50	1.90	2,700	32.0	1130	20.0	0.78		70	
EA2880BMB-23HB2	230V	50	119	0.59	0.91	2,550	31.0	1090	16.5	0.65	4/450	68	1.80
		60	158	0.82	0.91	2,700	32.0	1130	20.0	0.78		70	

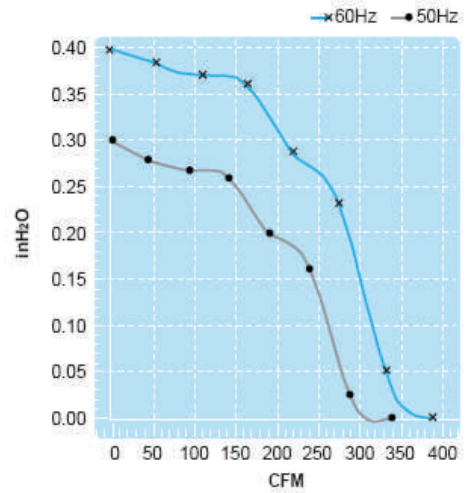
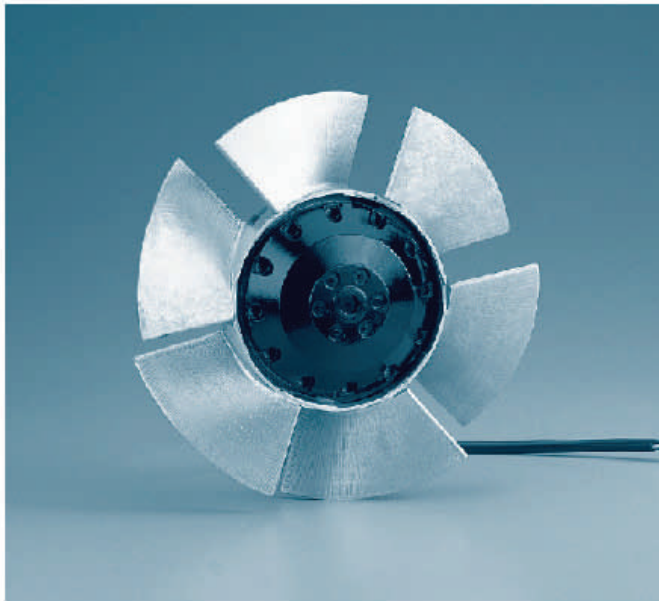


Electronic Alliance

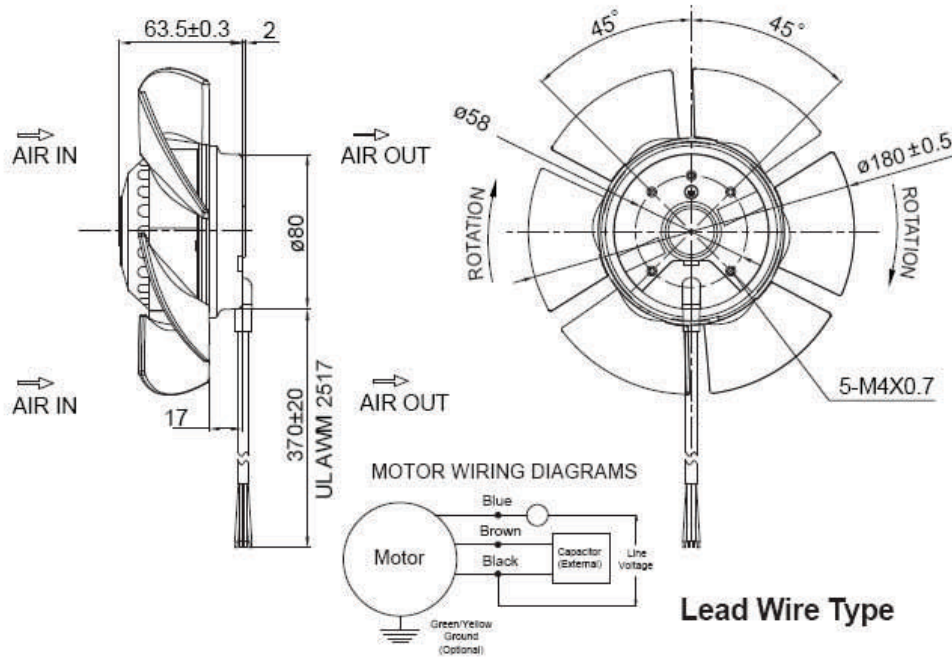
AC EXTERNAL ROTOR FAN

MODEL: EA1885BAB SERIES

AXIAL FAN



Thermal Protection

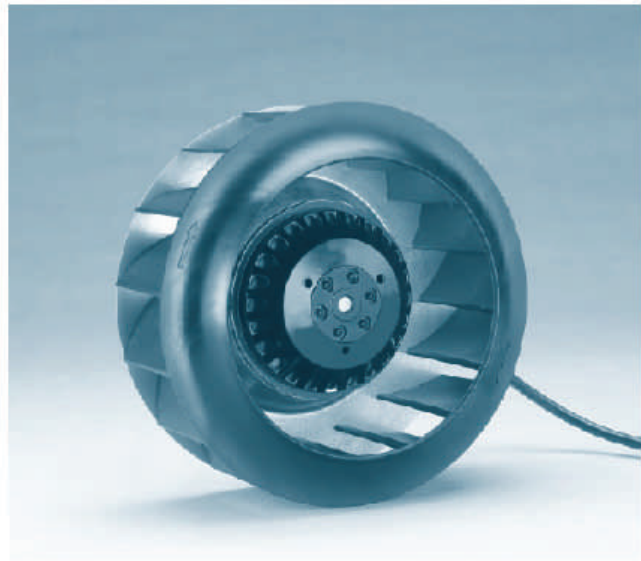
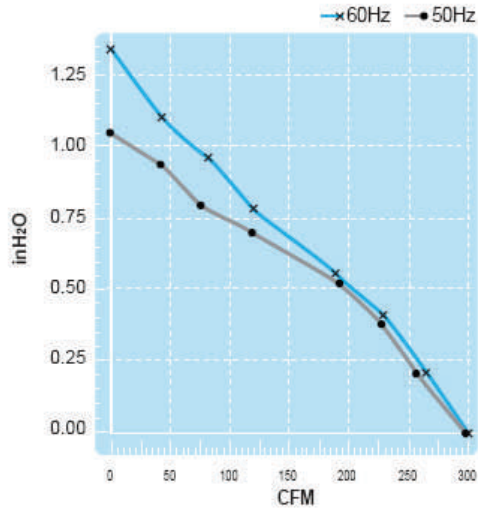


Model Spec	Rated Voltage V	Frequency Hz	Input Power W	Rated Current A	Locked Current A	Speed RPM	Maximum Air Flow m ³ /min	Maximum Air Flow CFM	Maximum Pressure mmH ₂ O	Maximum Pressure InchH ₂ O	Capacitor μF/VDB	Noise dB	Weight KG
EA1885BAB-11H	115V	50	76	0.70	1.23	2,750	9.5	335	7.5	0.30	10/250	62	1.20
		60	75	0.71	1.23	3,100	11.0	388	10.0	0.40		65	
EA1885BAB-23H	230V	50	76	0.35	0.54	2,750	9.5	335	7.5	0.30	2/450	62	1.20
		60	75	0.40	0.54	3,100	11.0	388	10.0	0.40		65	

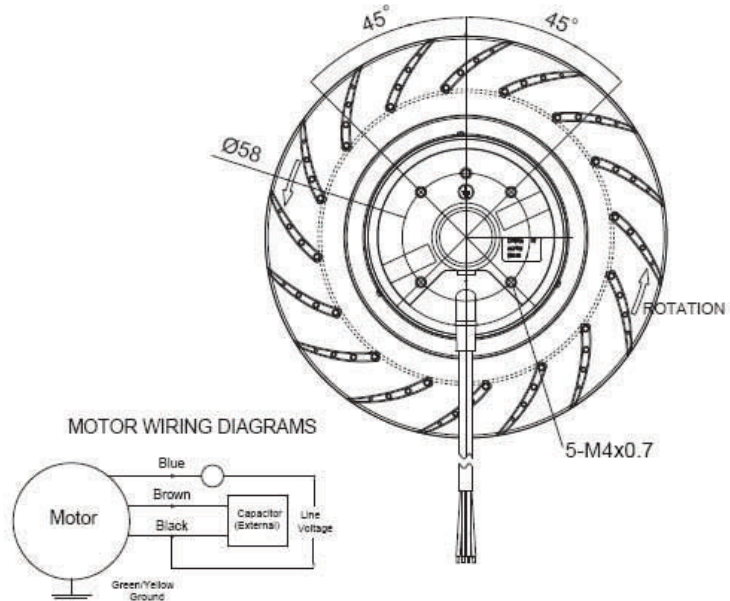
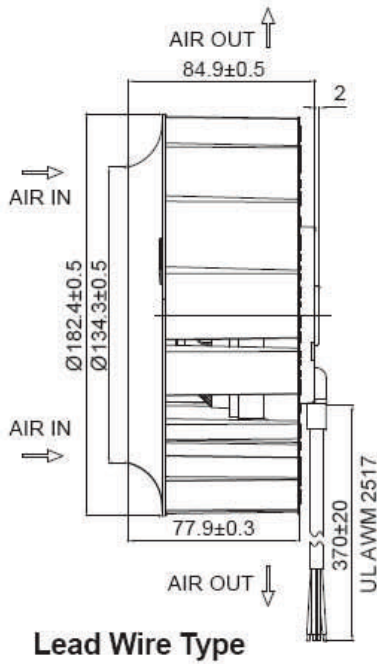


MODEL: EA1885APA SERIES

CENTRIFUGAL



Thermal Protection



Model Spec	Rated Voltage V	Frequency Hz	Input Power W	Rated Current A	Locked Current A	Speed RPM	Maximum Air Flow m ³ /min	Maximum Air Flow CFM	Maximum Pressure mmH ₂ O	Maximum Pressure InchH ₂ O	Capacitor μF/VDB	Noise dB	Weight KG
EA1885APA-11H	115V	50	70	0.62	0.86	2,300	8.5	300	25.0	1.00	10/250	63	1.40
		60	83	0.75	0.93	2,300	8.5	300	34.0	1.30		63	
EA1885APA-23H	230V	50	70	0.30	0.41	2,300	8.5	300	25.0	1.00	2/450	63	1.40
		60	81	0.35	0.44	2,300	8.5	300	34.0	1.30		63	

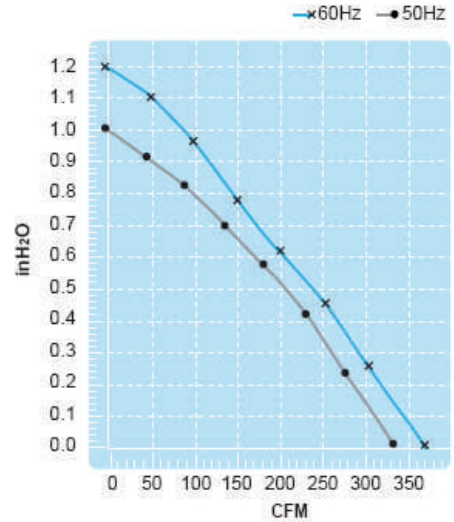


Electronic Alliance

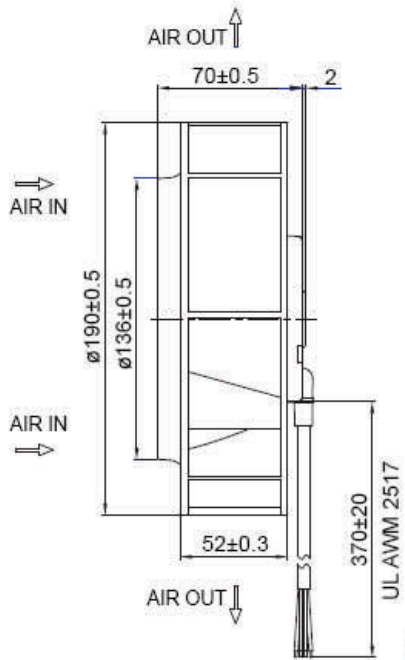
AC EXTERNAL ROTOR FAN

MODEL: EA1970APA SERIES

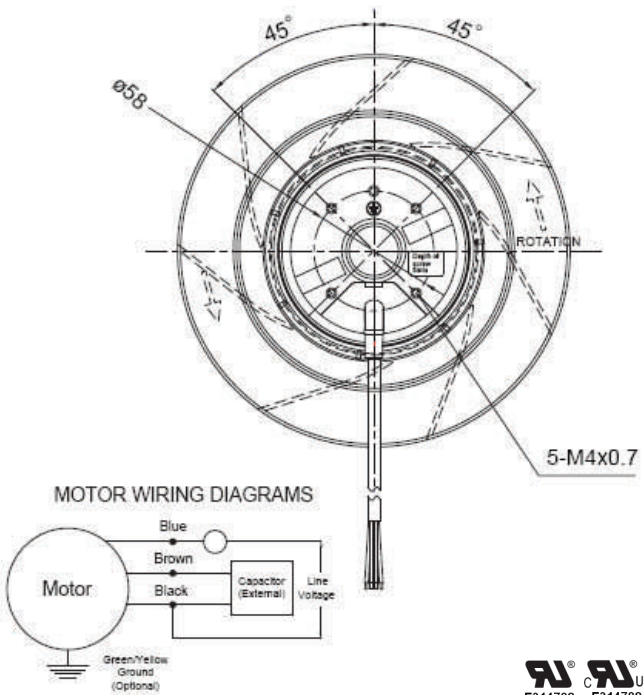
CENTRIFUGAL FAN



Thermal Protection



Lead Wire Type

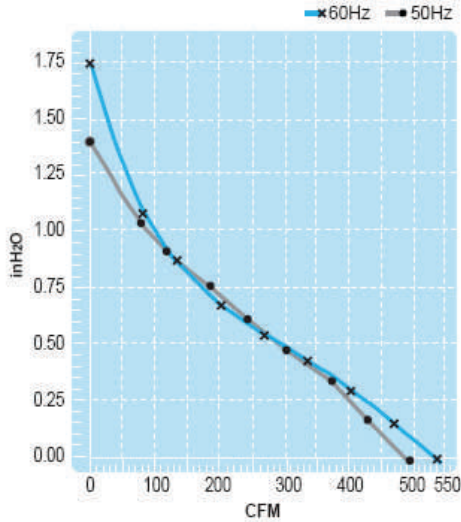


Model Spec	Rated Voltage V	Frequency Hz	Input Power W	Rated Current A	Locked Current A	Speed RPM	Maximum Air Flow m ³ /min	Maximum Air Flow CFM	Maximum Pressure mmH ₂ O	Maximum Pressure InchH ₂ O	Capacitor μF/VDB	Noise dB	Weight KG
EA1970APA-11H	115V	50	55	0.45	0.92	2,500	9.5	335	25.0	1.00	6/250	60	1.20
		60	65	0.54	0.91	2,700	10.4	370	30.0	1.20		63	
EA1970APA-23H	230V	50	57	0.23	0.43	2,500	9.5	335	25.0	1.00	2/450	60	1.20
		60	72	0.30	0.45	2,700	10.4	370	30.0	1.20		63	

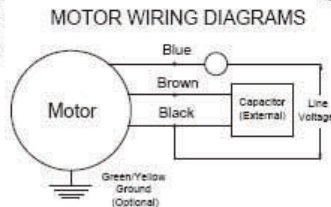
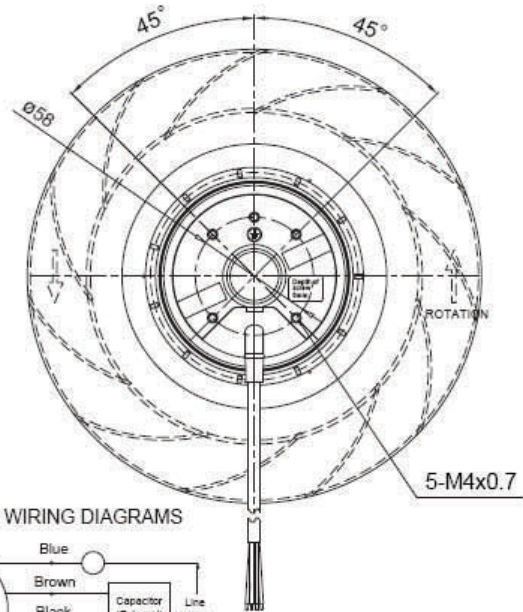
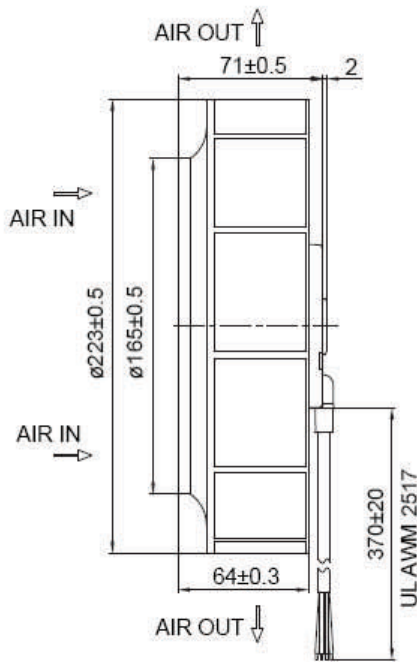


MODEL: EA2270APA SERIES

CENTRIFUGAL FAN



Thermal Protection



Lead Wire Type



Model Spec	Rated Voltage V	Frequency Hz	Input Power W	Rated Current A	Locked Current A	Speed RPM	Maximum Air Flow m ³ /min	Maximum Air Flow CFM	Maximum Pressure mmH ₂ O	Maximum Pressure InchH ₂ O	Capacitor μF/VDB	Noise dB	Weight KG
EA2270A-11H	115V	50	90	0.77	1.19	2,500	14.0	500	35.0	1.40	10/250	65	1.30
		60	117	0.98	1.22	2,650	15.0	530	38.0	1.50		70	
EA2270A-23H	230V	50	90	0.40	0.60	2,500	14.0	500	35.0	1.40	2/450	65	1.30
		60	117	0.50	0.58	2,650	15.0	530	38.0	1.50		70	

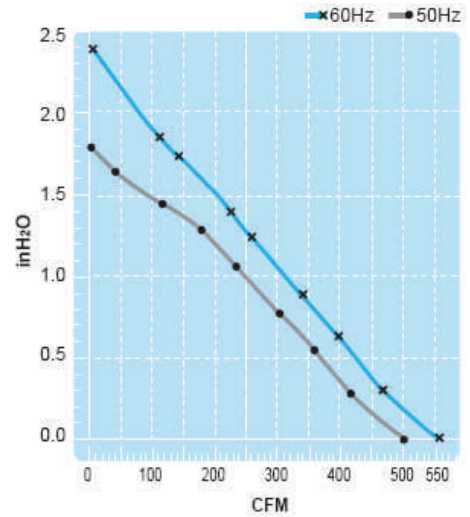
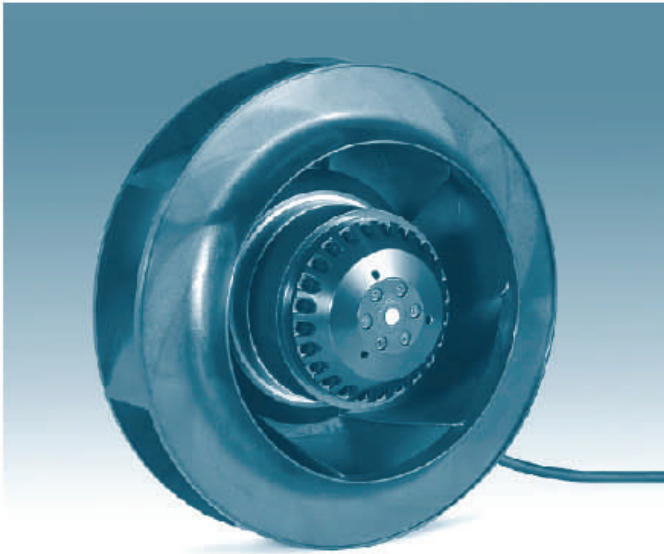


Electronic Alliance

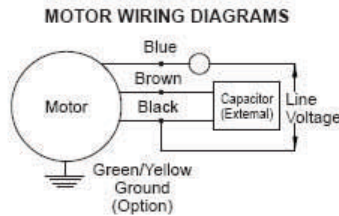
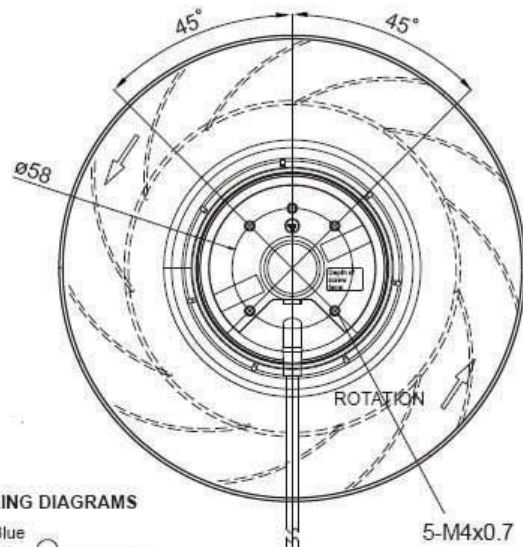
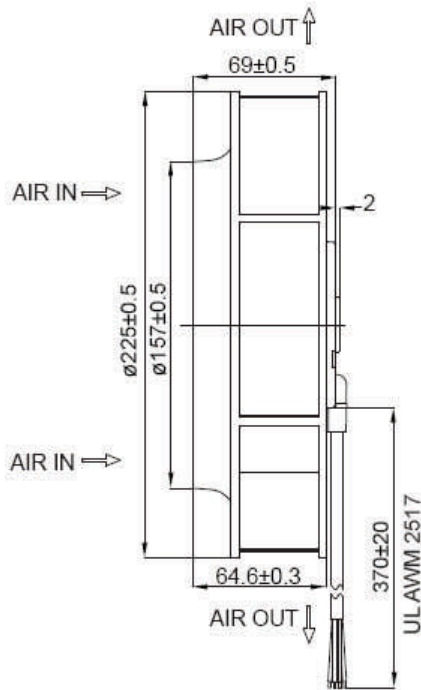
AC EXTERNAL ROTOR FAN

MODEL: EA2269APA SERIES

CENTRIFUGAL FAN



Thermal Protection



Lead Wire Type

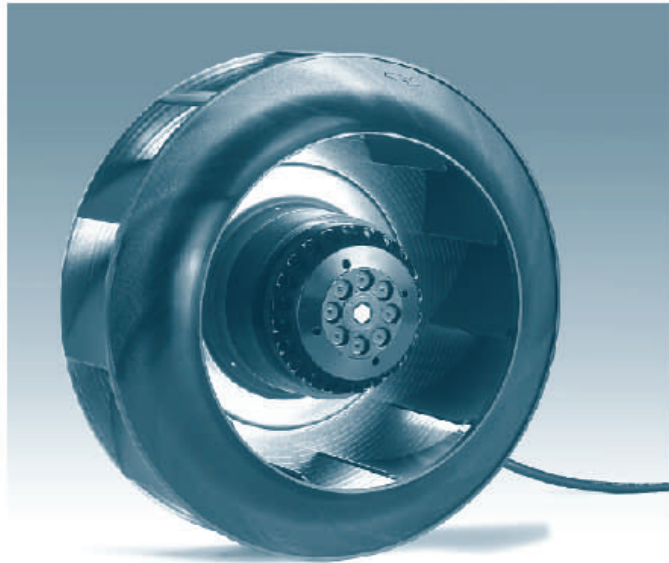
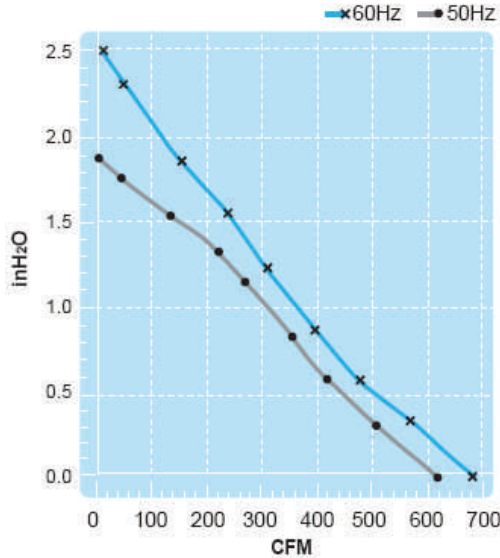


Model Spec	Rated Voltage V	Frequency Hz	Input Power W	Rated Current A	Locked Current A	Speed RPM	Maximum Air Flow m ³ /min	Maximum Air Flow CFM	Maximum Pressure mmH ₂ O	Maximum Pressure InchH ₂ O	Capacitor μF/VDB	Noise dB	Weight KG
EA2269APA-11HB	115V	50	128	1.07	2.22	2,650	14.2	500	46.0	1.80	12/250	70	2.30
		60	160	1.08	2.30	2,950	15.6	550	58.0	2.30		72	
EA2269APA-23HB	230V	50	126	0.53	1.14	2,650	14.2	500	46.0	1.80	3/450	70	2.30
		60	157	0.54	1.15	2,950	15.6	550	58.0	2.30		72	

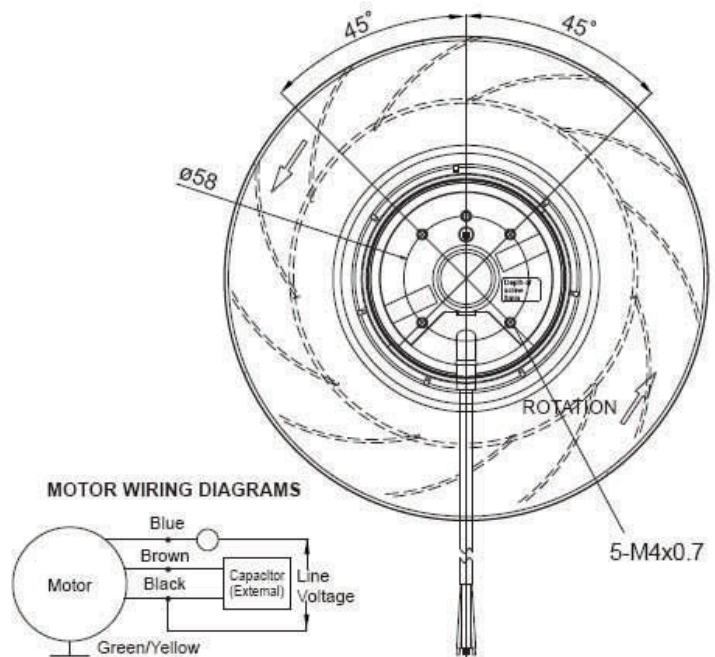
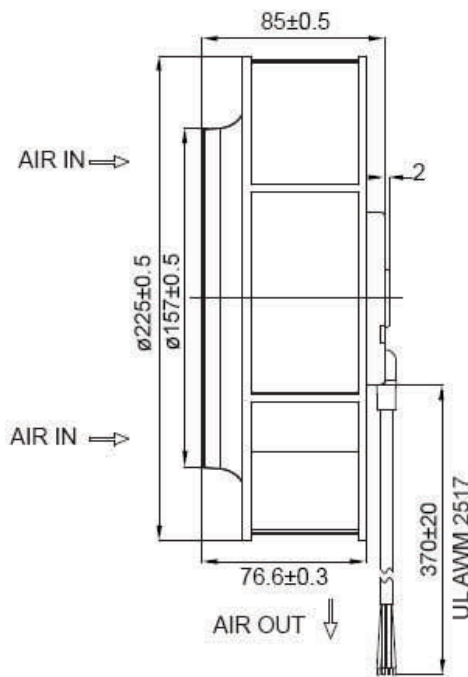


MODEL: EA2285APA SERIES

CENTRIFUGAL FAN



Thermal Protection



Lead Wire Type



Model Spec	Rated Voltage V	Frequency Hz	Input Power W	Rated Current A	Locked Current A	Speed RPM	Maximum Air Flow m ³ /min	Maximum Air Flow CFM	Maximum Pressure mmH ₂ O	Maximum Pressure InchH ₂ O	Capacitor μF/VDB	Noise dB	Weight KG
EA2285APA-11HB	115V	50	128	1.10	2.22	2,700	17.5	618	46.0	1.80	12/250	74	2.30
		60	160	1.20	2.30	3,000	19.2	680	64.0	2.50		75	
EA2285APA-23HB	230V	50	126	0.55	1.14	2,700	17.5	618	46.0	1.80	3/450	74	2.30
		60	157	0.60	1.15	3,000	19.2	680	64.0	2.50		75	

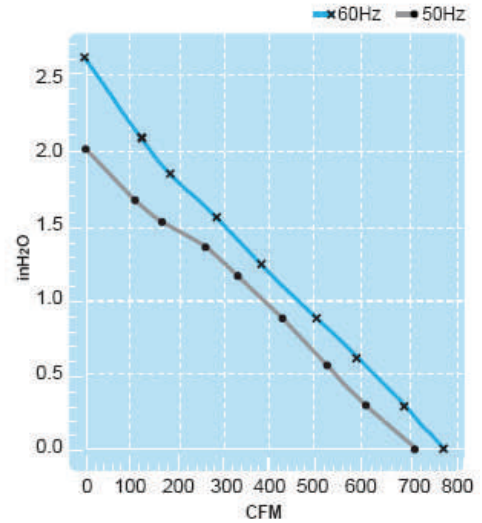


Electronic Alliance

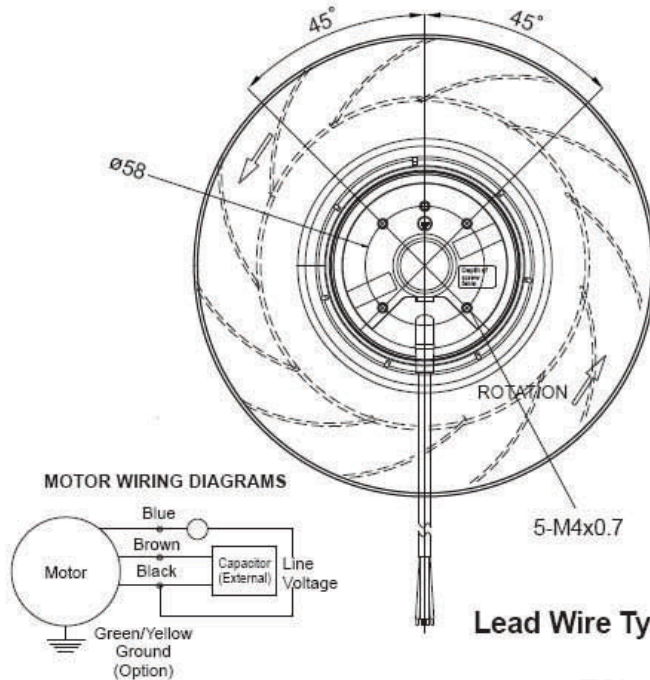
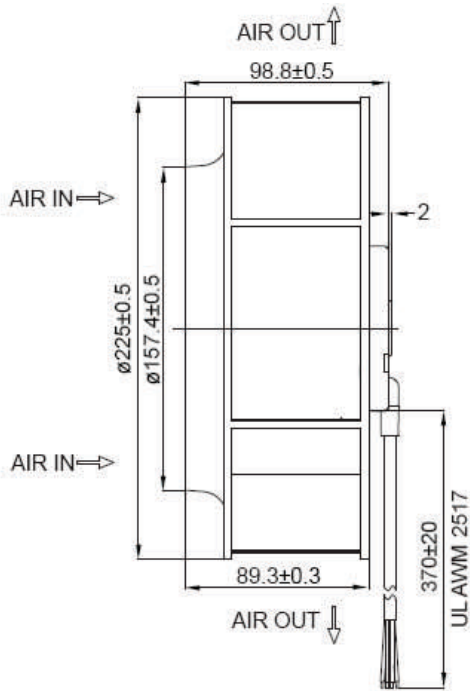
AC EXTERNAL ROTOR FAN

MODEL: EA22100APA SERIES

CENTRIFUGAL FAN



Thermal Protection



Lead Wire Type

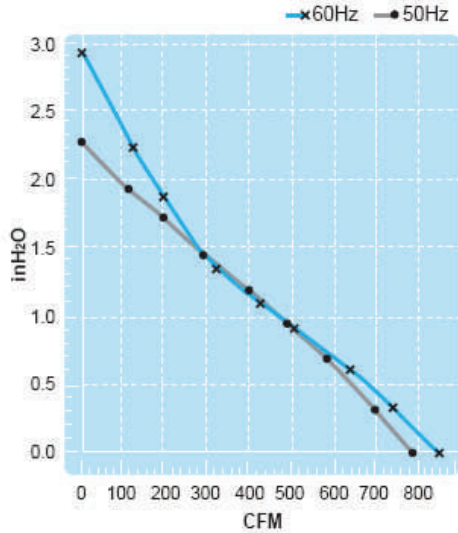


Model Spec	Rated Voltage V	Frequency Hz	Input Power W	Rated Current A	Locked Current A	Speed RPM	Maximum Air Flow m ³ /min	Maximum Air Flow CFM	Maximum Pressure mmH ₂ O	Maximum Pressure InchH ₂ O	Capacitor μF/VDB	Noise dB	Weight KG
EA22100APA-11HB	115V	50	128	1.16	2.20	2,650	20.0	700	51.0	2.00	16/250	69	2.30
		60	160	1.41	2.30	2,950	22.0	770	66.0	2.60		71	
EA22100APA-23HB	230V	50	126	0.57	1.14	2,650	20.0	700	51.0	2.00	4/450	69	2.30
		60	157	0.70	1.15	2,950	22.0	770	66.0	2.60		71	

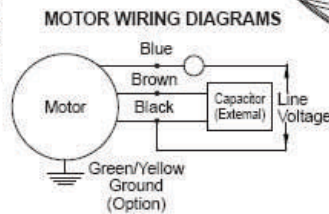
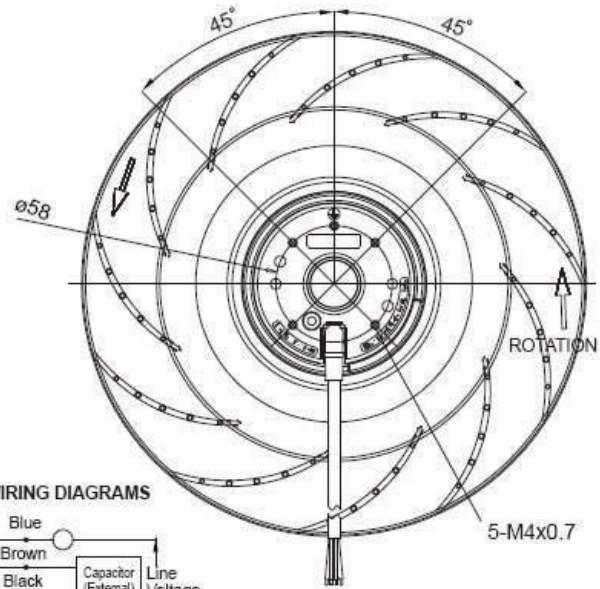
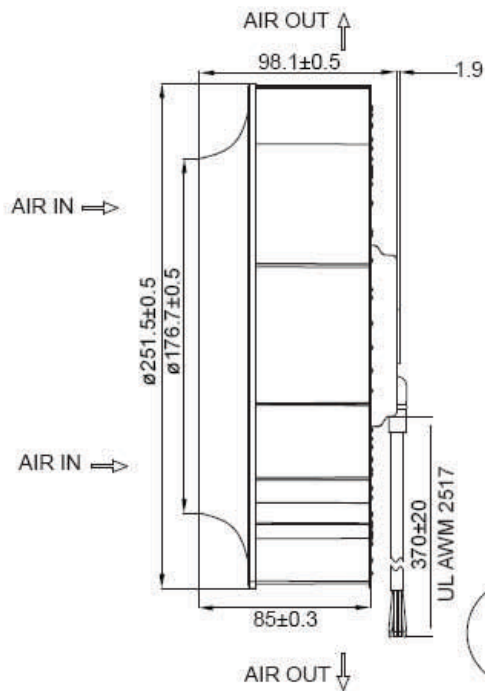


MODEL: EA25100APA SERIES

CENTRIFUGAL FAN



Thermal Protection



Lead Wire Type



Model Spec	Rated Voltage V	Frequency Hz	Input Power W	Rated Current A	Locked Current A	Speed RPM	Maximum Air Flow m ³ / min	Maximum Air Flow CFM	Maximum Pressure mmH ₂ O	Maximum Pressure InchH ₂ O	Capacitor μ F/VDB	Noise dB	Weight KG
EA25100APA-11HB	115V	50	170	1.50	3.10	2,600	22.0	770	86.0	2.20	20/250	75	3.10
		60	240	2.10	3.00	2,700	24.0	850	74.0	2.90		76	
EA25100APA-23HB	230V	50	170	0.77	1.57	2,600	22.0	770	86.0	2.20	5/450	75	3.10
		60	240	1.00	1.52	2,700	24.0	850	74.0	2.90		76	